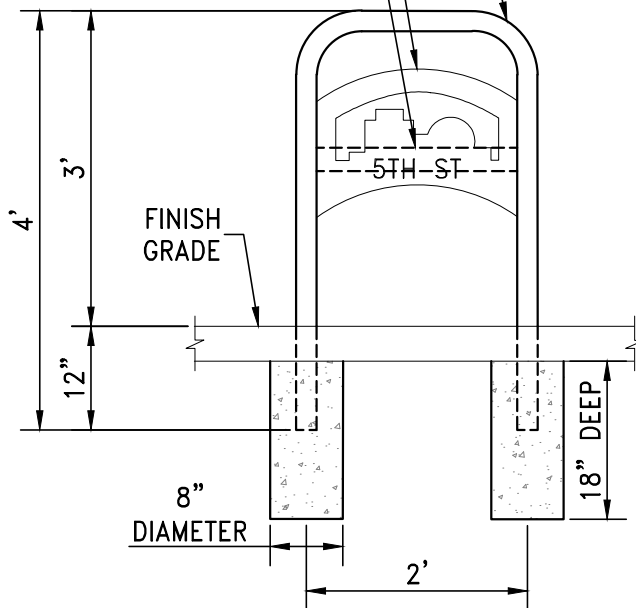


(2) 1/4" THICK STEEL PLATE. CUTOUT ART/STREET NAME.

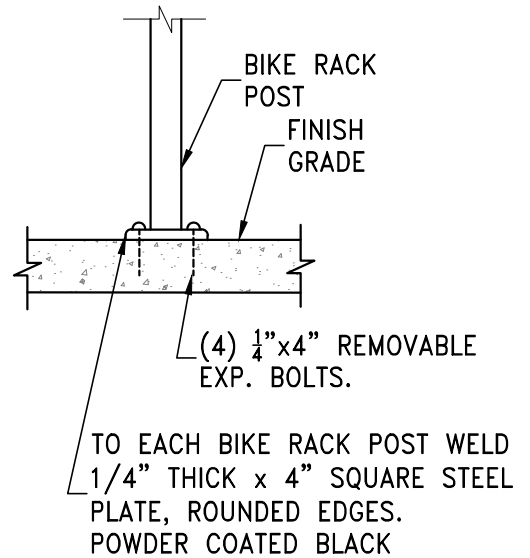
WELD CENTERED TO 2" PIPE, POWDER COAT BLACK

1/4" THICK X 3" WIDE STEEL PLATE. WELD CENTERED TO 2" PIPE, POWDER COAT BLACK

BIKE RACK. INSTALL PLUMB IN CONC. FOOTINGS. TOUCH UP PAINT AS NECESSARY.



DIRECT BURY



SURFACE MOUNT

NOTES:

- BIKE RACK TO BE 2" ROUND SCH 40 STEEL PIPE; BEND TO FORM & DIMENSIONS AS SHOWN. POWDER COAT BLACK.



STANDARD DETAILS FOR PUBLIC WORKS CONSTRUCTION

DRAWING No.

BIKE RACK

R-605

APPROVED BY: JF

DATE: 12/2019