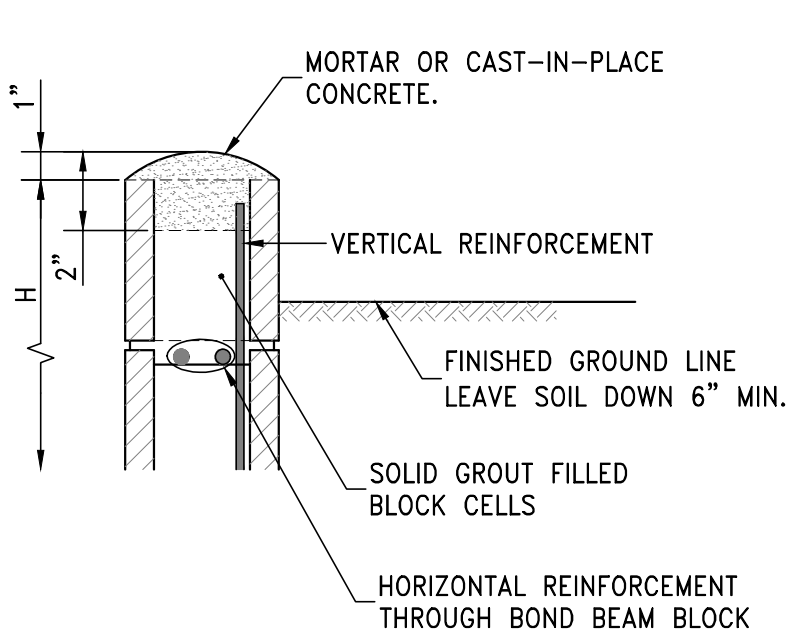
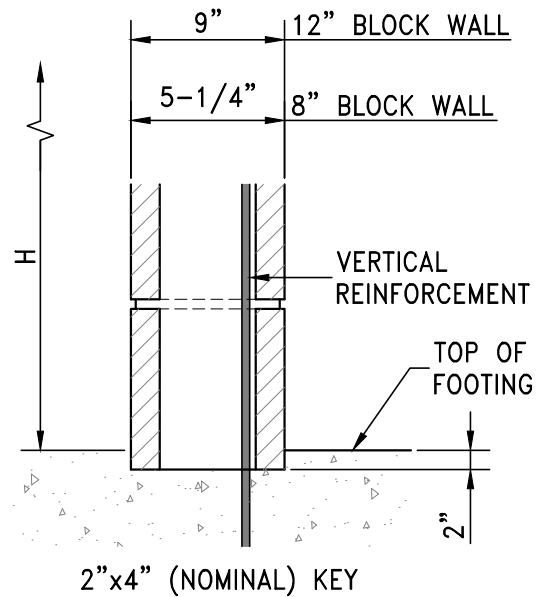


TYPICAL SECTION



CAP DETAIL



KEY DETAIL

NOTE:
 ALL MASONRY RETAINING WALLS SHALL BE CONSTRUCTED WITH CAP,
 KEY AND DRAINAGE DETAILS AS SHOWN HEREON.



STANDARD DETAILS FOR PUBLIC WORKS CONSTRUCTION

**MASONRY RETAINING
 WALLS**

DRAWING No.

R-604B

APPROVED BY: JF | DATE: 12/2019