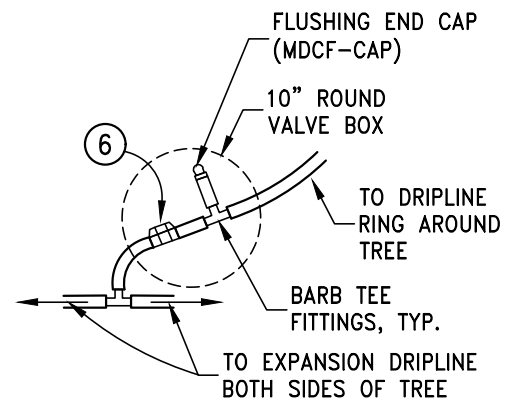


**PLAN**

NOTES:

- ① RAIN BIRD XF SERIES (XFD-09-24) DRIPLINE WITH 10 EMITTERS PER TREE AT 0.90 GPH = 9.0 GPH PER TREE WITH FLUSHING END CAP (MDCFCAP)
- ② EXPANDED XF SERIES DRIPLINE (XFD-09-24) FOR FUTURE TREE MATURITY IRRIGATION.
- ③ LAYOUT DRIPLINE TO CREATE TRIANGULAR SPACING PATTERN WITH INLINE EMITTERS, TYP.
- ④ EXPANSION DRIPLINE WITH BALL VALVE CONNECTED TO DRIPLINE RING FOR FUTURE/TREE MATURITY IRRIGATION, SEE DETAIL A BELOW.
- ⑤ PROVIDE 2" MIN. SCH. 40 PVC SLEEVE WITH 1" MIN. SALCO LATERAL RUNNING BETWEEN OPEN TREE PITS AT 18" MIN. DEPTH.
- ⑥ 1/2" (THREAD BY THREAD) PVC BALL VALVE WITH RAINBIRD XFF-MA-050 INSERT BY 1/2" MAIL MPT ADAPTOR FITTINGS



**DETAIL A**



STANDARD DETAILS FOR PUBLIC WORKS CONSTRUCTION

**PARKWAY  
DRIP IRRIGATION**

DRAWING No.

**R-520B**

APPROVED BY: MB | DATE: 12/2019