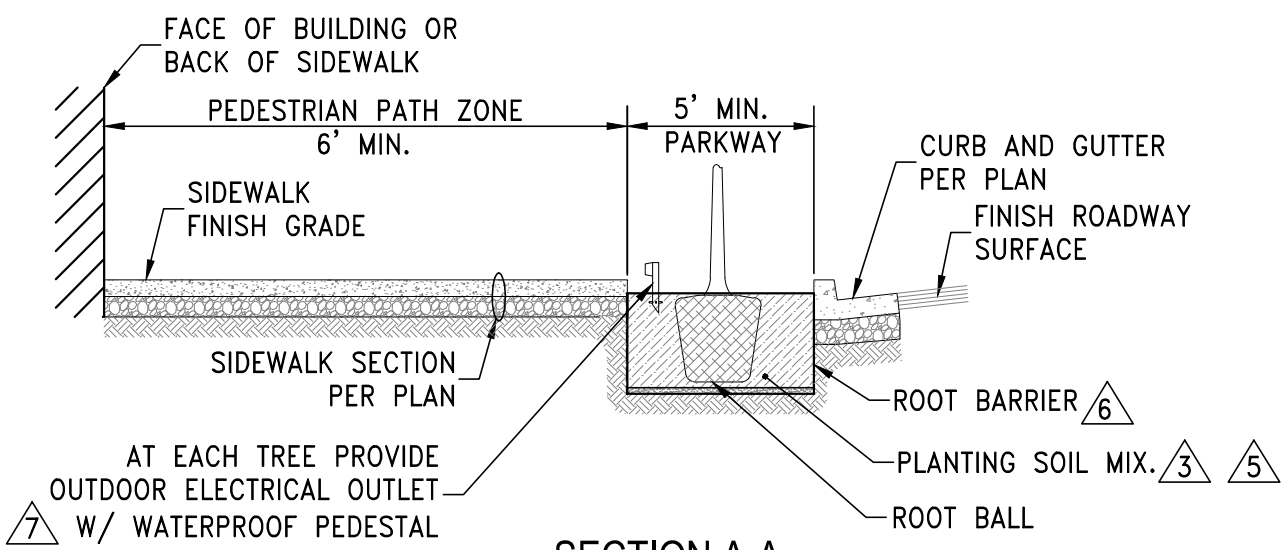
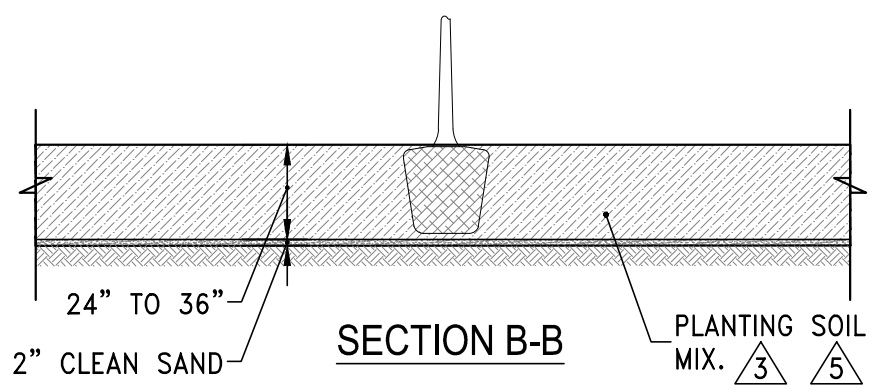


PLAN



SECTION A-A



SECTION B-B



STANDARD DETAILS FOR PUBLIC WORKS CONSTRUCTION

DRAWING No.

TREE WITH PARKWAY

R-501C

APPROVED BY: MB | DATE: 12/2019