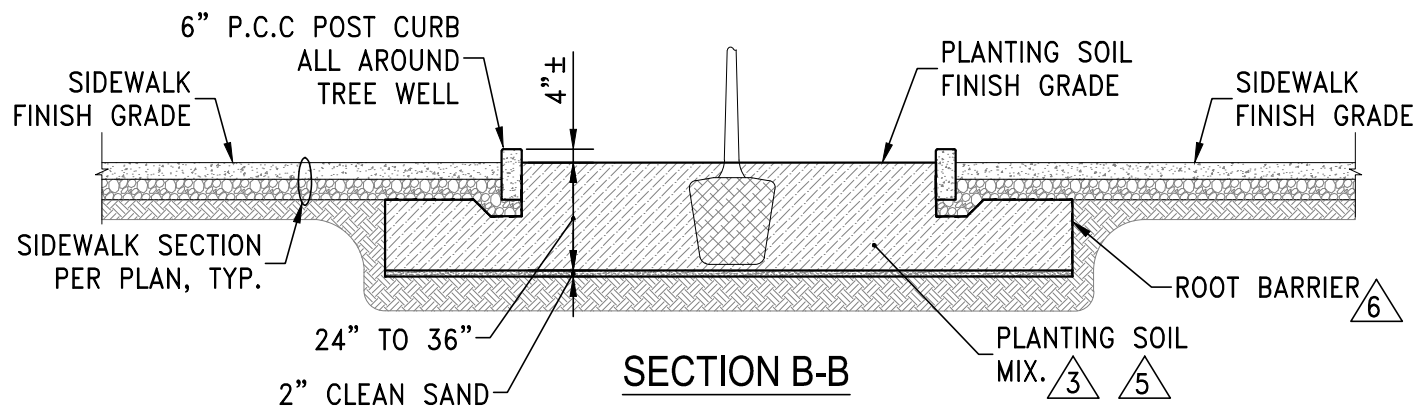


SECTION A-A



SECTION B-B



STANDARD DETAILS FOR PUBLIC WORKS CONSTRUCTION

DRAWING No.

TREE WELL WITH CURB

R-501A

APPROVED BY: MB DATE: 12/2019