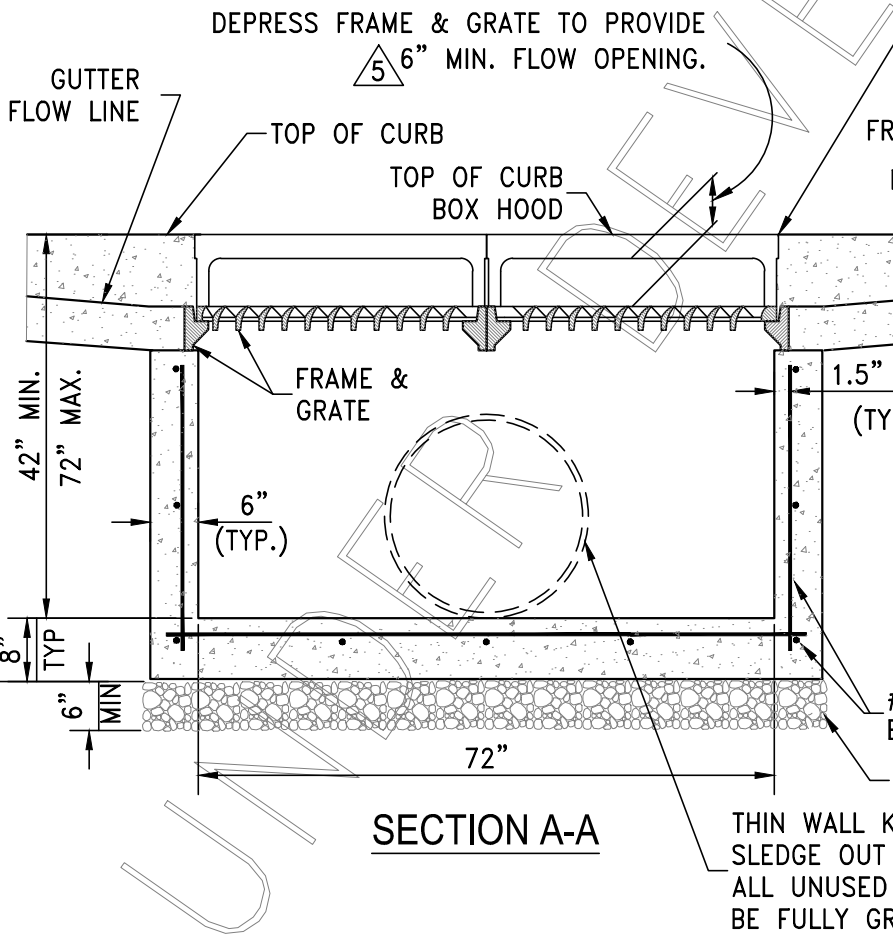


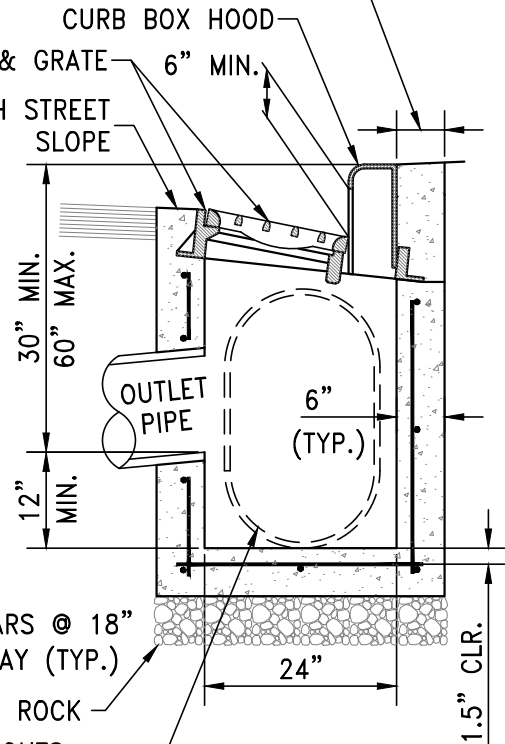
PLAN

NEENAH R-3295 DOUBLE CAST IRON FRAME, GRATE, AND CURB HOOD OR APPROVED EQUAL

6" CURB BEHIND WHEN NO SIDEWALK PRESENT



SECTION A-A



SECTION B-B

THIN WALL KNOCKOUTS. SLEDGE OUT AS REQUIRED. ALL UNUSED AREA SHOULD BE FULLY GROUTED.



STANDARD DETAILS FOR PUBLIC WORKS CONSTRUCTION

**CATCH BASIN
DUAL TYPE 4-R**

DRAWING No.

R-207B

APPROVED BY: JC | DATE: 12/2019