

# FIRE HYDRANT COLOR SCHEDULE

## RENO

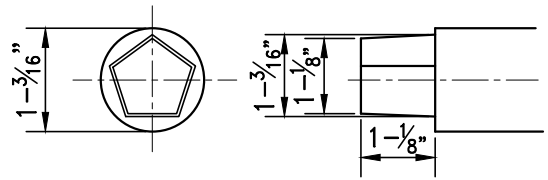
ALL HYDRANTS TO BE FACTORY ENAMELED SAFETY RED.

## SPARKS

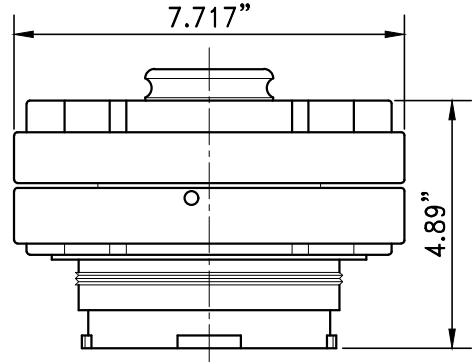
PUBLIC HYDRANTS TO BE FACTORY ENAMELED SAFETY YELLOW.  
PRIVATE HYDRANTS TO BE FACTORY ENAMELED SAFETY RED.

## WASHOE COUNTY

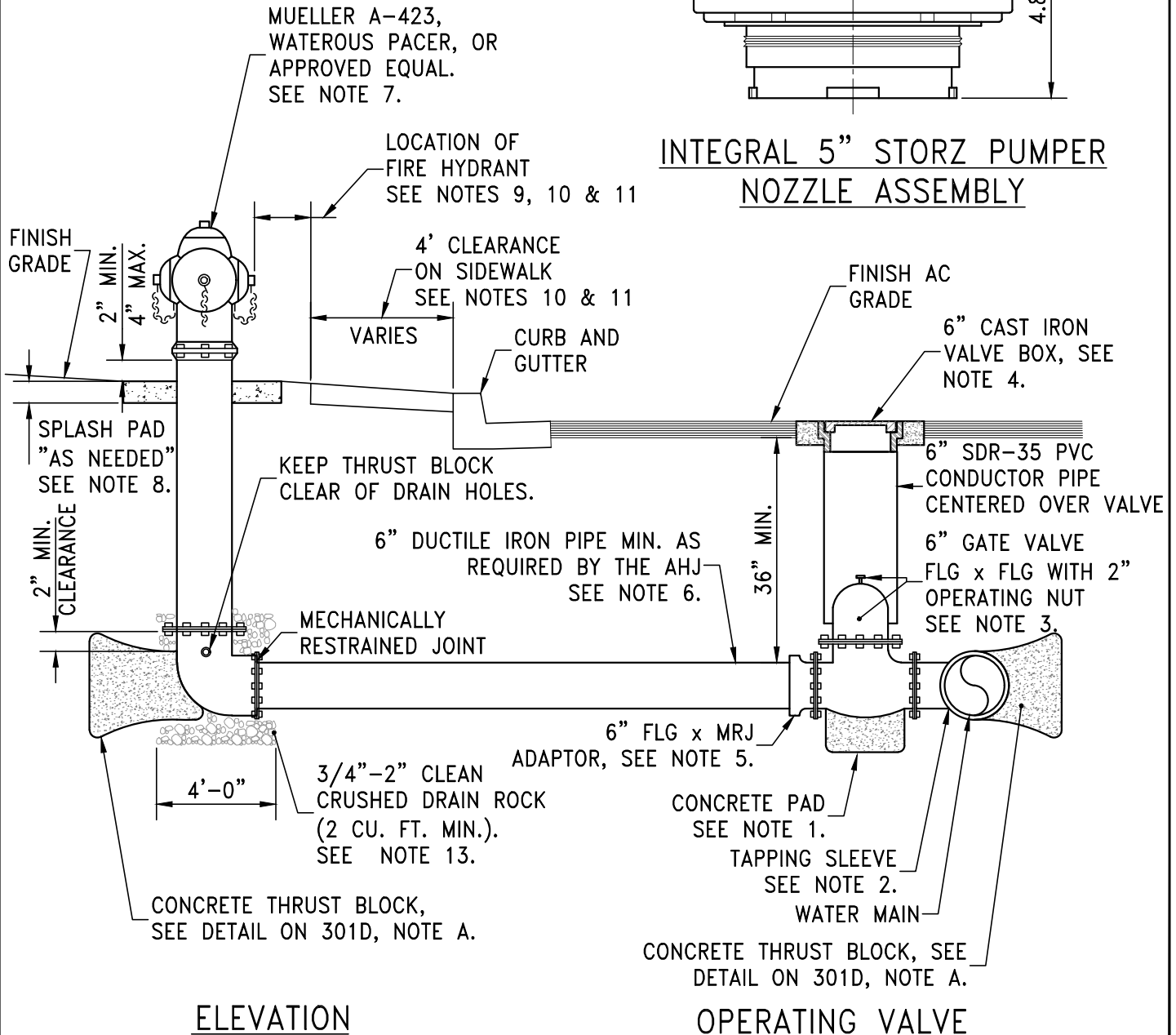
PUBLIC HYDRANTS TO BE FACTORY ENAMELED SAFETY RED.  
PRIVATE HYDRANTS TO BE FACTORY ENAMELED SAFETY RED WITH HIGH REFLECTIVE WHITE TOP.



OPERATING NUT - PENTAGON



INTEGRAL 5" STORZ PUMPER NOZZLE ASSEMBLY



STANDARD DETAILS FOR PUBLIC WORKS CONSTRUCTION

AHJ

DRAWING No.

RENO

R-301A

SPARKS

S-301A

W/C

W-23A

DATE: 1/2020



FIRE HYDRANT