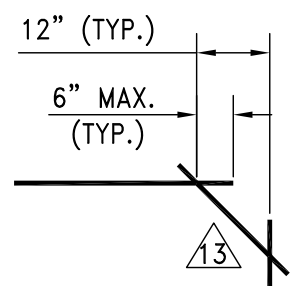
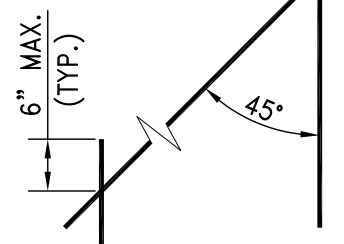


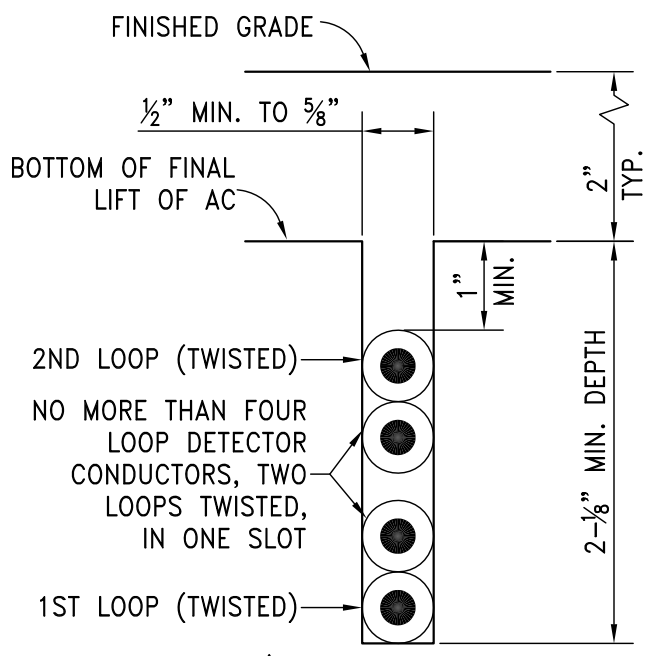
PLAN VIEW



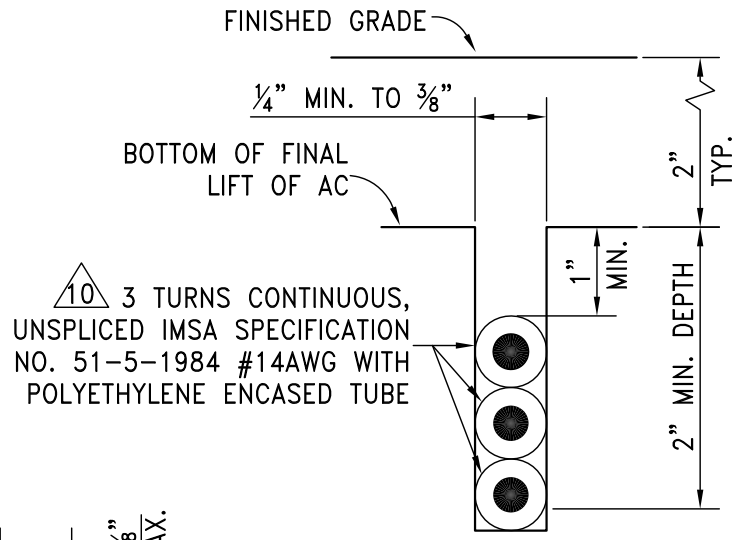
1-1/4" Ø BORE
PRIOR TO SAW CUT



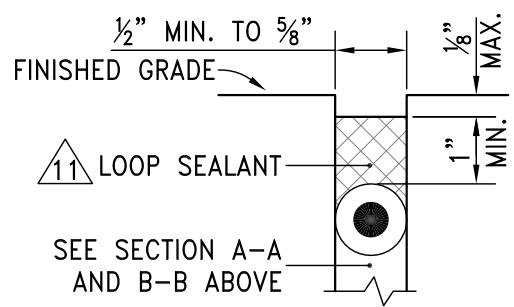
PLAN VIEW - **13**
DIAGONAL SLOT AT CORNERS
& 1-1/4" Ø BORE



1 SECTION A-A



SECTION B-B



DETAIL A - FOR CUT IN LOOPS



STANDARD DETAILS FOR PUBLIC WORKS CONSTRUCTION

DRAWING No.

LOOP DETECTOR LAYOUT

R-406A

APPROVED BY: JF

DATE: 8/2014