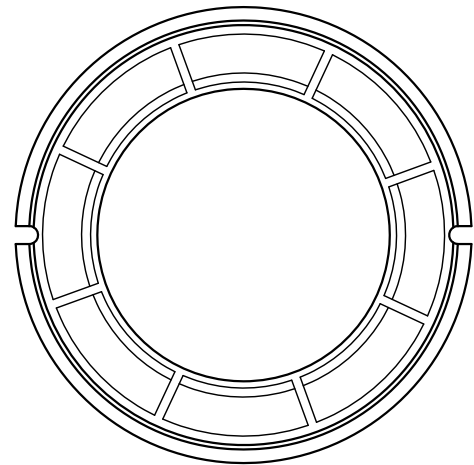
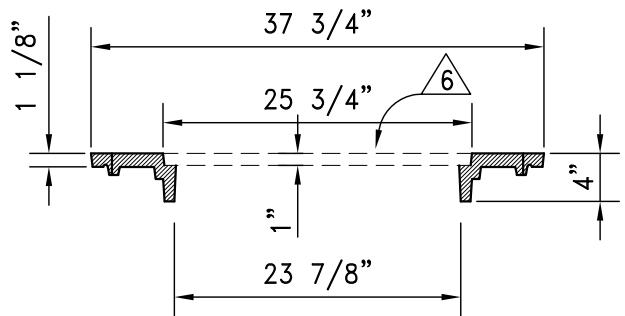


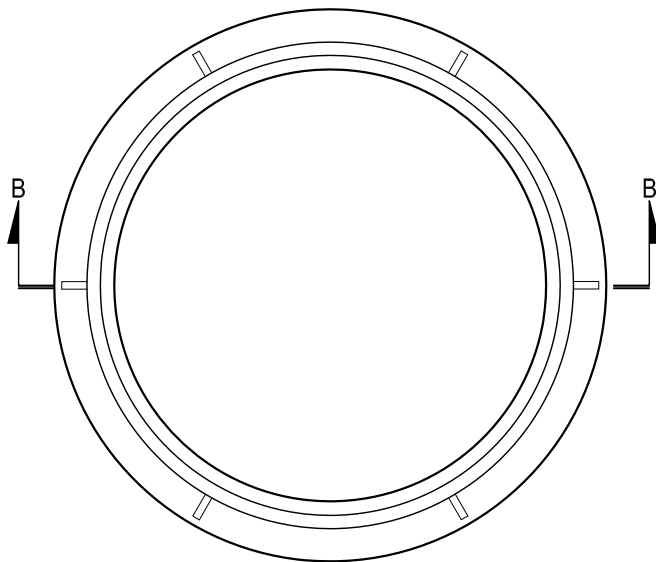
24" COVER ADAPTOR PLAN - TOP



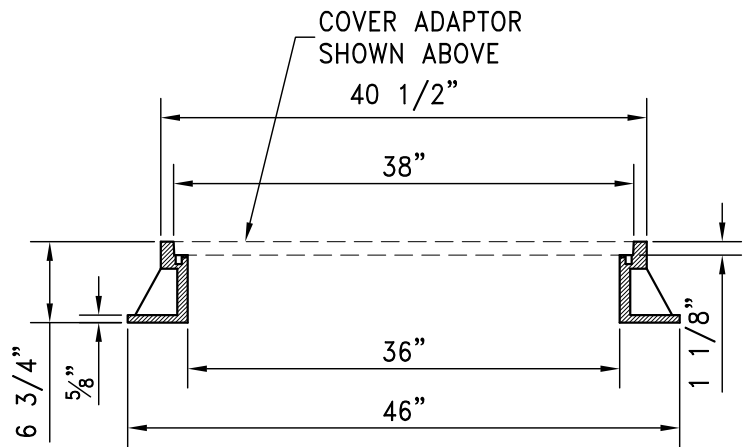
24" COVER ADAPTOR PLAN - BOTTOM



SECTION A-A



36" MANHOLE FRAME



SECTION B-B

36" FRAME AND COVER ADAPTOR NOTES:

1. 24" COVER ADAPTOR SHALL BE D&L FOUNDRY A1462-R5, TO ACCEPT D&L FOUNDRY A1032 CITY OF RENO MANHOLE COVERS AND TO SET IN D&L FOUNDRY A1462 CITY OF RENO FRAME OR APPROVED EQUAL.
2. 36" MANHOLE FRAME SHALL BE D&L FOUNDRY A1462 CITY OF RENO FRAME OR APPROVED EQUAL.
3. CASTINGS SHALL BE CAST GRAY IRON, AND MEET THE REQUIREMENTS OF ASTM A-48, CLASS 35B, NO PAINT.
4. FURNISHED WITH MACHINED HORIZONTAL BEARING SURFACE.
5. MANHOLE COVER ADAPTOR SHALL BE FREE OF HOOKS OR PROTRUSIONS THAT MAY HINDER REMOVAL.
6. FOR A1032 CITY OF RENO LOGO COVER, SEE 24" MANHOLE FRAME AND COVER DETAIL (COVER ONLY).



STANDARD DETAILS FOR PUBLIC WORKS CONSTRUCTION

DRAWING No.

**36" MANHOLE FRAME
WITH 24" COVER ADAPTOR**

R-214B

APPROVED BY: JF

DATE: 3/2014