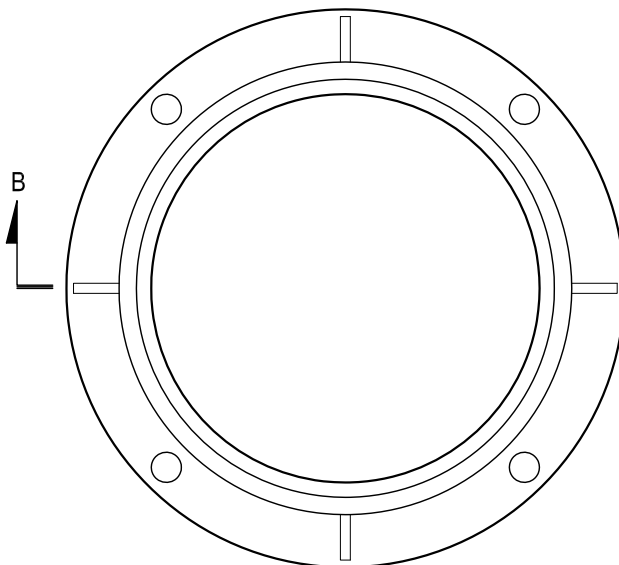
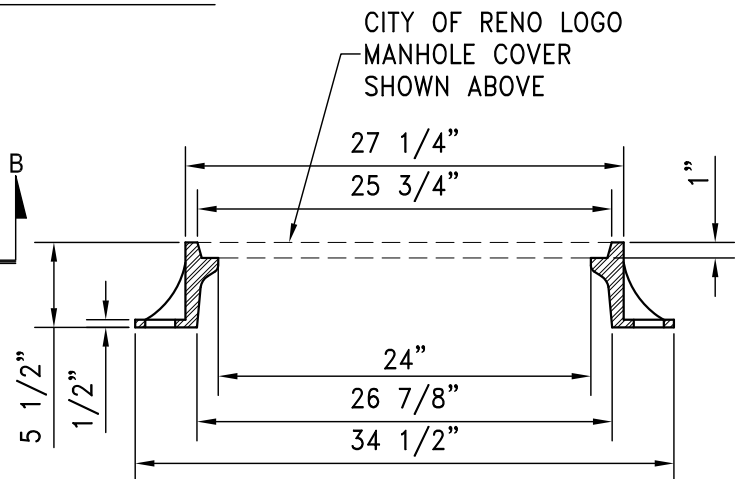


SECTION A-A



24" MANHOLE FRAME



SECTION B-B

24" FRAME AND COVER NOTES:

1. CITY OF RENO LOGO FRAME AND COVERS SHALL BE D&L FOUNDRY A1032 CITY OF RENO FRAME AND COVER OR APPROVED EQUAL. RENO LOGO FRAMES AND COVERS ARE TO BE PLACED ONLY ON CITY OF RENO MAINTAINED FACILITIES. PRIVATE FACILITIES SHALL NOT HAVE THE RENO LOGO ON THE LIDS. THEY SHALL ONLY HAVE THE LETTERS INDICATING "SS" OR "SD".
2. FURNISHED WITH MACHINED HORIZONTAL BEARING SURFACE.
3. CASTINGS SHALL BE CAST GRAY IRON AND MEET THE REQUIREMENTS OF ASTM A-48, CLASS 35B, NO PAINT.



STANDARD DETAILS FOR PUBLIC WORKS CONSTRUCTION

DRAWING No.

**24" MANHOLE
FRAME & COVER**

R-214A

APPROVED BY: JF | DATE: 4/2015