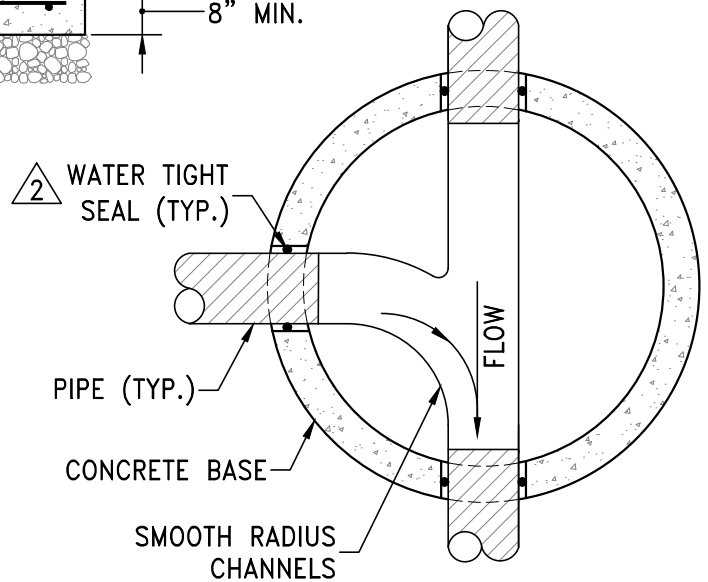


SECTION



SECTION A-A



STANDARD DETAILS FOR PUBLIC WORKS CONSTRUCTION

DRAWING No.

MANHOLE TYPE V

R-208B

APPROVED BY: KK

DATE: 1/2023