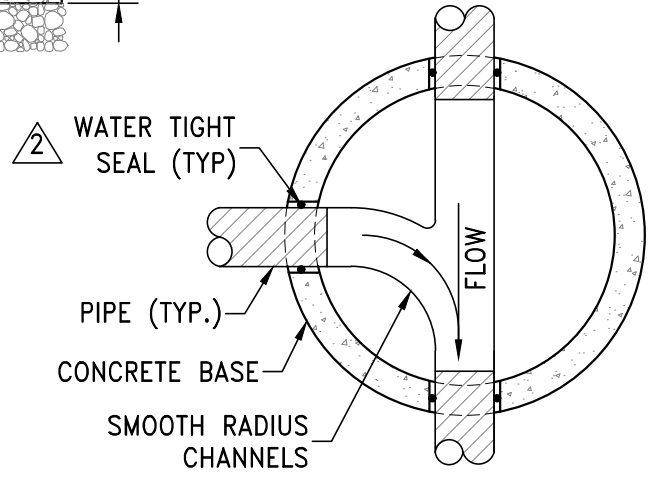


**SECTION**



**SECTION A-A**



STANDARD DETAILS FOR PUBLIC WORKS CONSTRUCTION

DRAWING No.

**MANHOLE TYPE I**

**R-208A**

APPROVED BY: KK

DATE: 1/2023