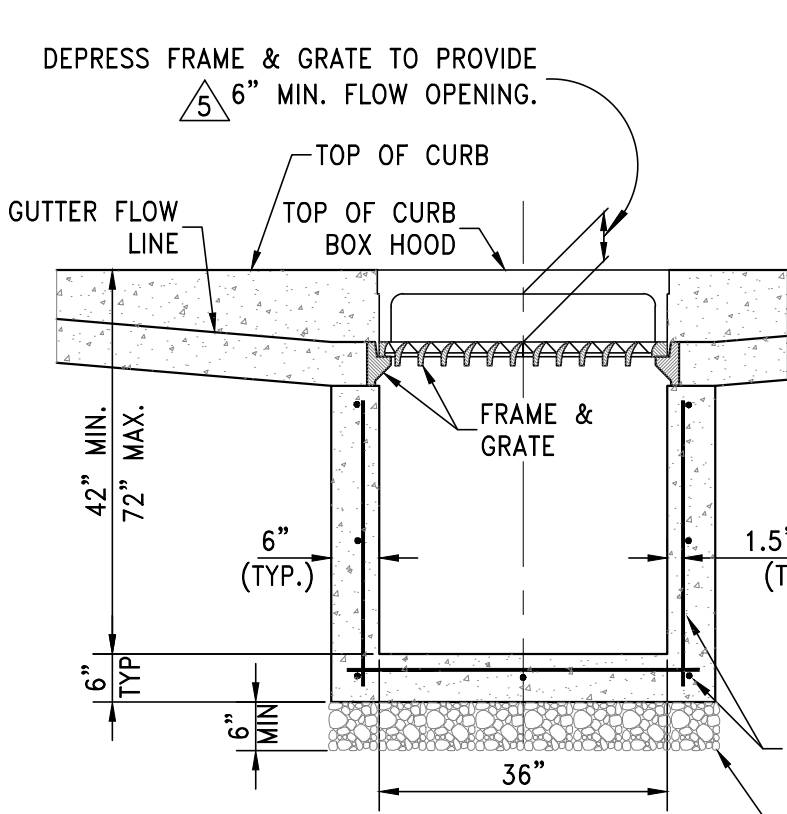
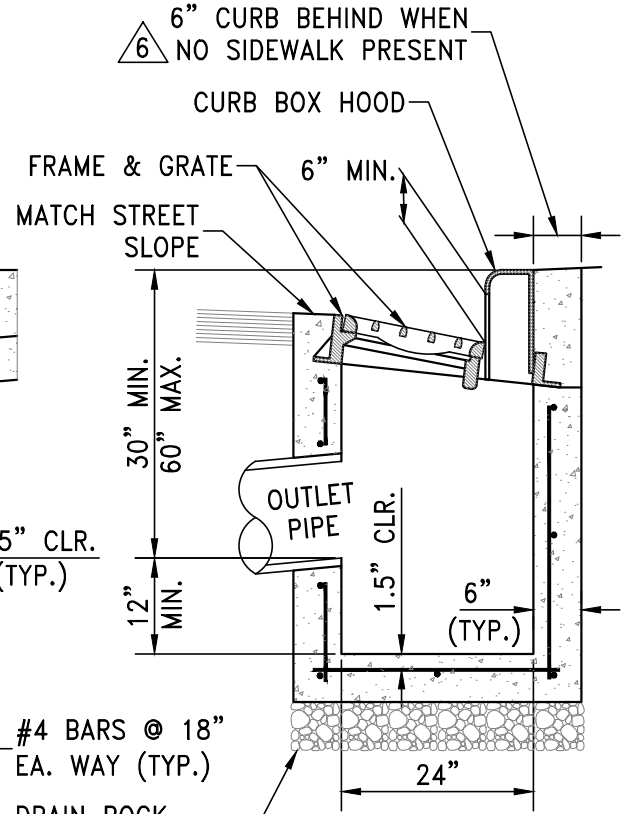


PLAN



SECTION A-A



SECTION B-B



STANDARD DETAILS FOR PUBLIC WORKS CONSTRUCTION

DRAWING No.

**CATCH BASIN
TYPE 4-R**

R-206A

APPROVED BY: KK DATE: 1/2023