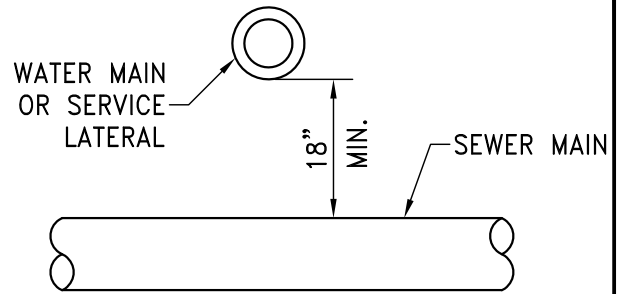
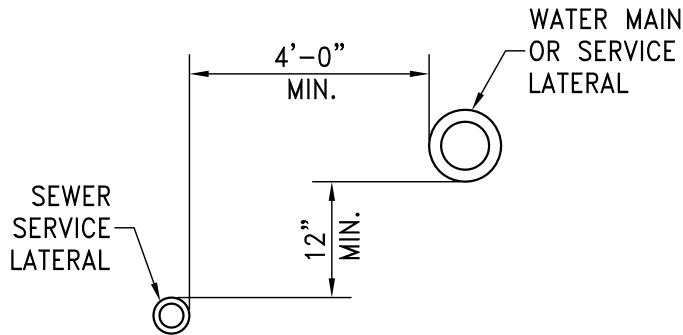


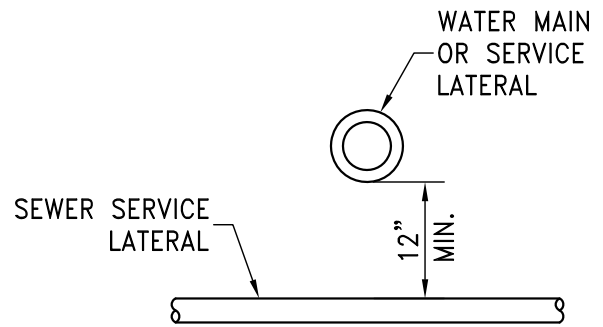
SEWER MAIN INSTALLATION PARALLEL TO WATER MAIN OR WATER SERVICE LATERAL (TYP.)



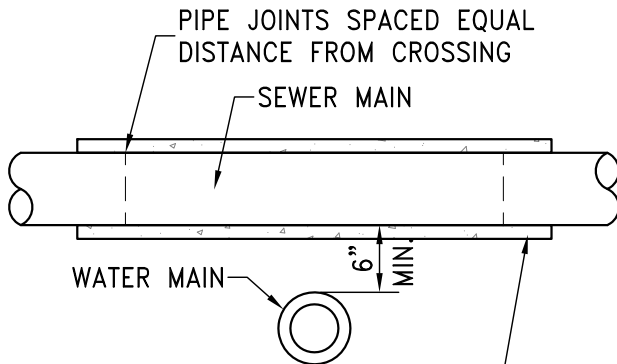
SEWER MAIN CROSSING WATER MAIN OR WATER SERVICE LATERAL (TYP.)



SEWER SERVICE LATERAL INSTALLATION PARALLEL TO WATER MAIN OR WATER SERVICE LATERAL (TYP.)

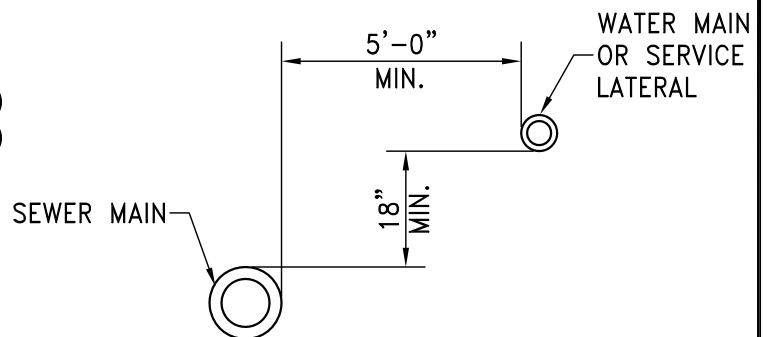


SEWER SERVICE LATERAL CROSSING WATER MAIN OR WATER SERVICE LATERAL (TYP.)



DUCTILE IRON SLEEVE OR CONCRETE ENCASUREMENT (SHOWN). 10' MIN. ON EACH SIDE OF CROSSING

SEWER MAIN CROSSING WATER MAIN (ALT.)



SEWER MAIN INSTALLATION PARALLEL TO WATER MAIN OR WATER SERVICE LATERAL (ALT.)

**NOTES:**

1. INSTALLATION OF SEWER LINES AND LATERALS SHALL BE IN CONFORMANCE WITH ALL STATE OF NEVADA WATER/SEWER SYSTEM SEPARATION REGULATIONS.
2. WHENEVER POSSIBLE, SEWER LINES AND LATERALS SHALL BE INSTALLED IN SEPARATE TRENCHES IN THE TYPICAL CONFIGURATIONS SHOWN ABOVE.
3. IF THE PIPE CANNOT BE INSTALLED IN THE TYPICAL OR ALTERNATIVE CONFIGURATIONS, THE CONTRACTOR SHALL HAVE WRITTEN APPROVAL FROM THE DIVISION OF HEALTH FOR ANY OTHER INSTALLATION CONFIGURATION.



STANDARD DETAILS FOR PUBLIC WORKS CONSTRUCTION

DRAWING No.

**WATER / SEWER SEPARATION**

**R-204**

APPROVED BY: JF

DATE: 8/2014