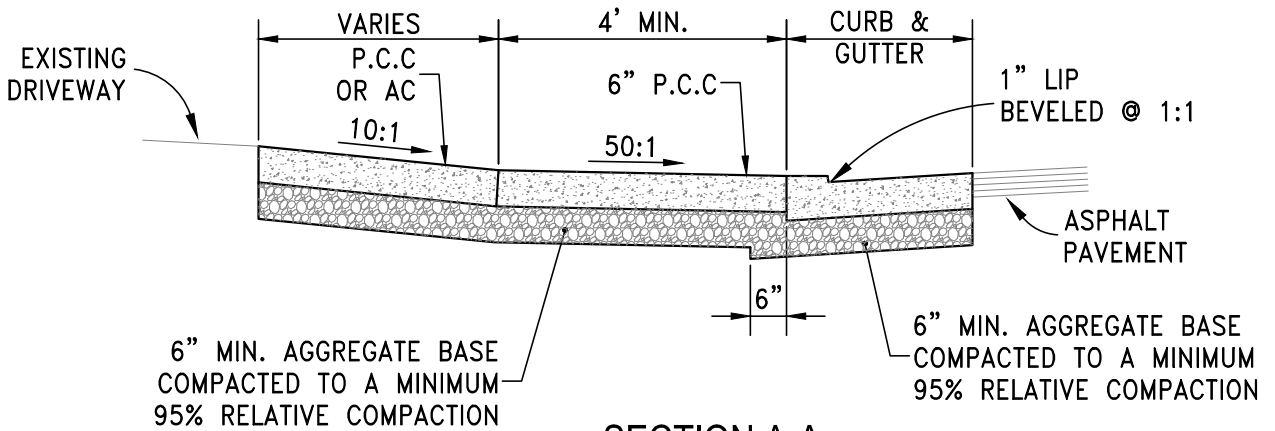


PLAN



SECTION A-A



STANDARD DETAILS FOR PUBLIC WORKS CONSTRUCTION

DRAWING No.

P.C.C. DRIVEWAY APRON

R-114A

APPROVED BY: KK

DATE: 1/2023