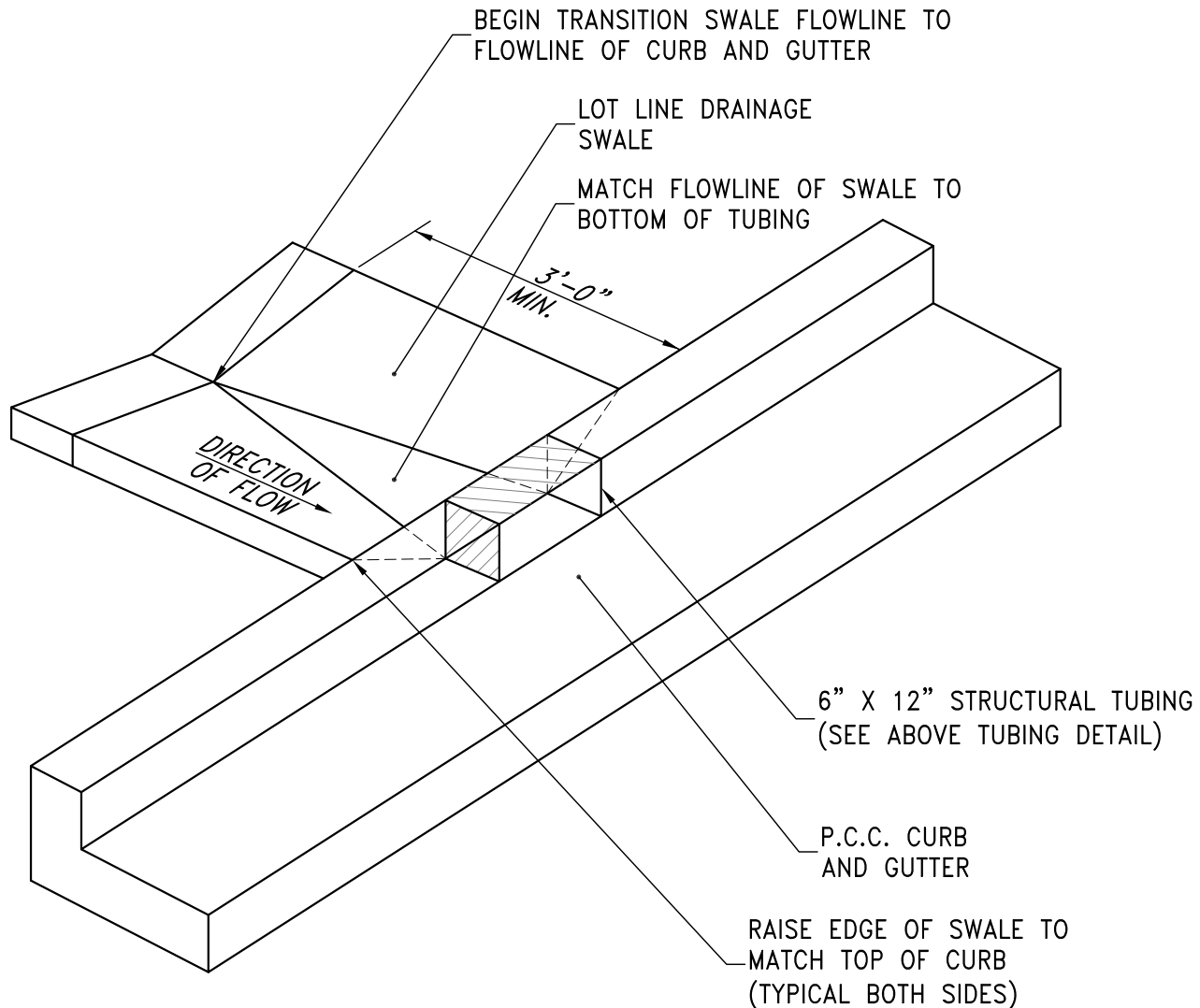


TUBING DETAIL

SECTION A-A

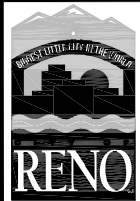


STANDARD DETAILS FOR PUBLIC WORKS CONSTRUCTION

DRAWING No.

**CURB OPENING**

**R-112**



APPROVED BY: JF      DATE: 1/2013