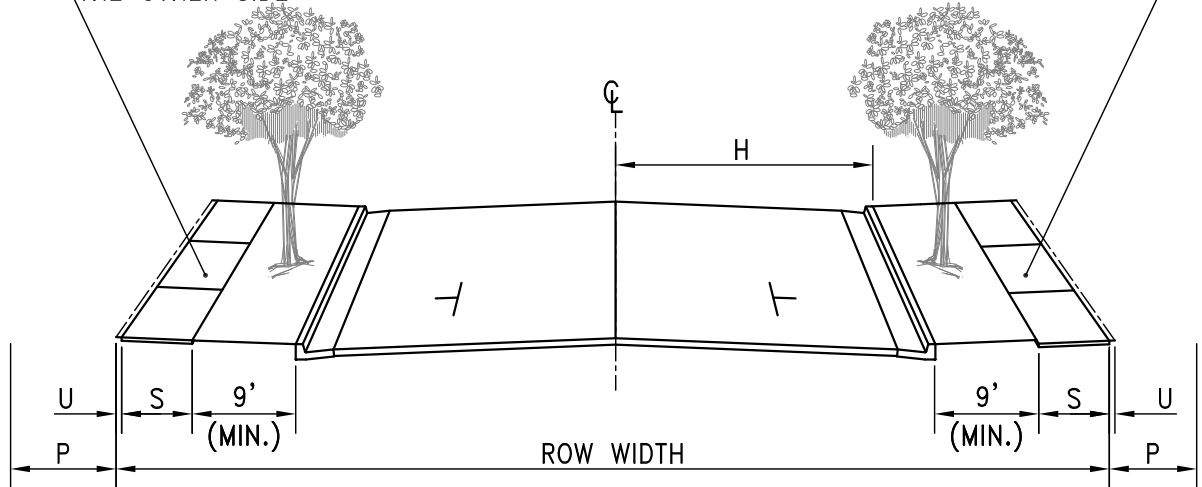


A MINIMUM 8' PATH MAY BE ADDED TO ONE SIDE AND BE DELETED ON THE OTHER SIDE

SIDEWALK MAY MEANDER WITHIN THE ROW



**WITH PARKWAY**

(RESIDENTIAL COLLECTOR AND LOCAL STREETS ONLY)



STANDARD DETAILS FOR PUBLIC WORKS CONSTRUCTION

DRAWING No.

**ROADWAY SECTIONS**

**R-101A**

APPROVED BY: JF | DATE: 1/2013